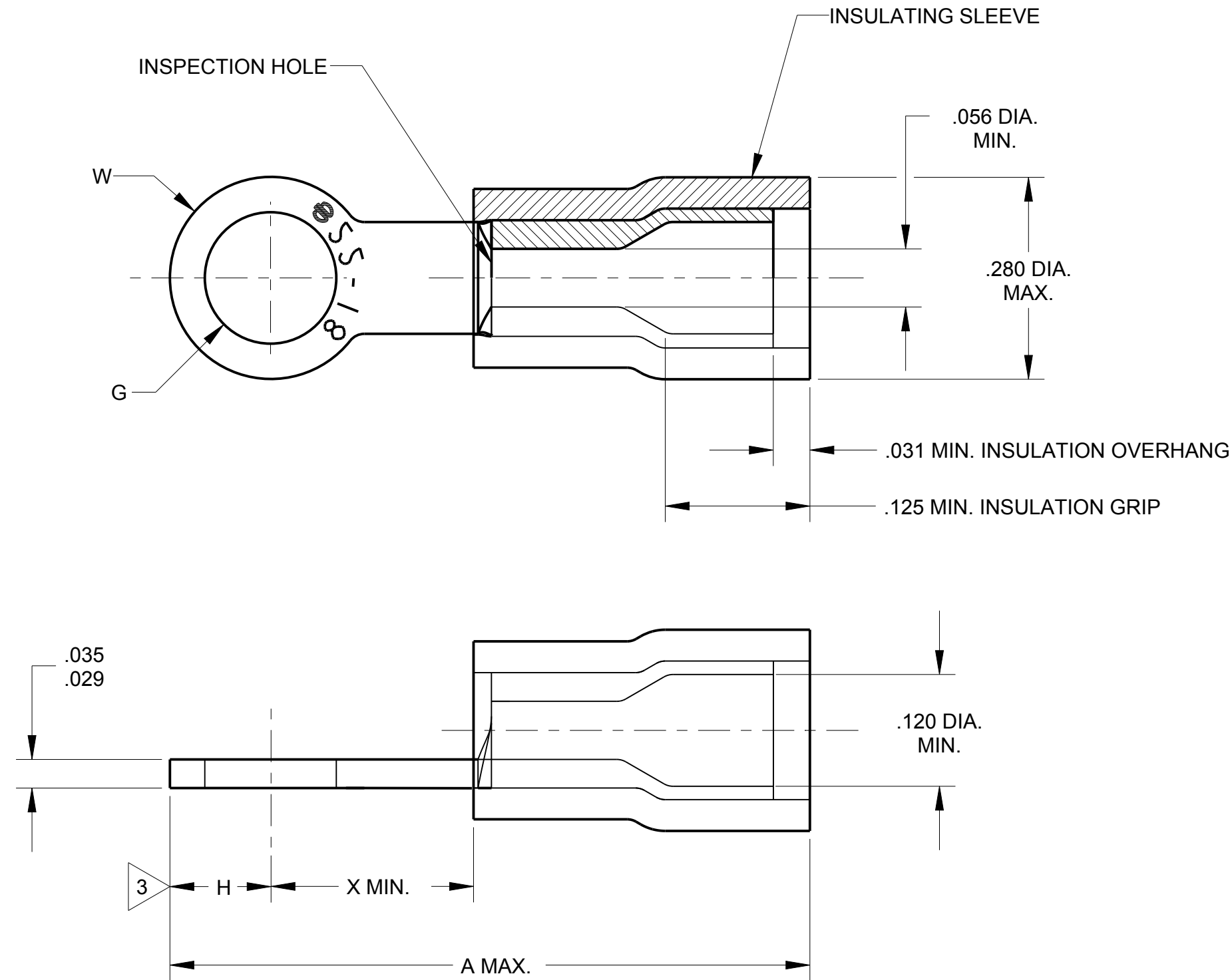


CAT. NO.	"G" DIA.		"W" DIA.		X MIN.	A MAX.
	MAX.	MIN.	MAX.	MIN.		
YAES18N1	.152	.142	.230	.222	.202	.755
YAES18N2	.152	.142	.256	.245	.289	.865
YAES18N3	.203	.193	.318	.306	.289	.910
YAES18N4	.338	.323	.460	.450	.406	1.090
YAES18N5	.400	.385	.536	.524	.453	1.170
YAES18N48	.122	.114	.230	.222	.202	.755
YAES18N49	.178	.168	.318	.306	.289	.910
YAES18N50	.275	.260	.460	.450	.406	1.090

REV	DATE	DESCRIPTION	ECO	BY	C'H'K.
F	07/01/2013 01:00:00 AM	DRAWING UPDATED AS PER MARKUP	32336	GP	MB



NOTES:

1. MATERIAL: INSULATION: NYLON (COLOR RED)
TERMINAL: COPPER

2. FINISH: TERMINAL; TIN PLATED.

3. "H" MAX. AND MIN. DIMENSIONS SHALL BE ONE HALF OF "W" MAX. AND MIN. DIMENSIONS, RESPECTIVELY.

4. THESE TERMINALS MEET DIMENSIONAL REQUIREMENTS OF CLASS 1, MS025036.

5. UL LISTED: 600 Volts, 105° C MAX.

6. TO ORDER SILVER PLATED LUGS ADD SUFFIX "SV".

ACCOMMODATES: 22-18 STRANDED WIRE PER MIL-W-5086

INSULATED TERMINAL

ITEM NO:	N/A
CAT. NO:	YAES18N (SEE TABLE)
DRAWN BY:	M KOVILRAJ 11/24/09
CHECKER:	P WASON 12/18/09
DSN APPVL:	P WASON 12/18/09
MFG APPVL:	M BAILLY 03/02/10
QA APPVL:	J BRODEUR 12/22/09
MKT APPVL:	J SYLVIA 12/18/09
PROD FAM:	CM&R
PROJECT #:	--
DOCUMENT TYPE:	Sales
REL LEVEL:	Released



SCALE: 7:1

DRAWING NO

REV

SIZE
C
SC054689-01
F

SHEET 1 OF 1

REV: PE0200